

VA WALL BOX

Standard

- Comply with ANSI/EIA RS-310-D, IEC60297-2, DIN41494;PART1; DIN41494;PART7

Material

- SPCC Cold Rolled Steel:
- Thickness: Mounting profile: 1.5mm, others: 1.0mm

Colour

- VA ■■■■■ 0 ■■■:RAL7035
- VA ■■■■■ 1 ■■■:RAL7021

Loading Capacity

- Static loading: 30KG

Protection Category

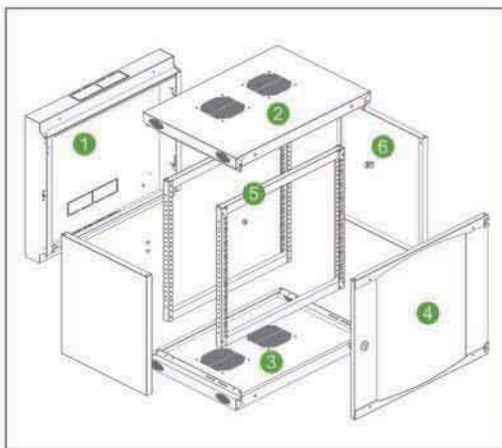
- Ip20

Finish

- Pretreated steel coated with textured , polyester powder paint



WALL BOX VA DOUBLE SECTION



Feature

- Disassembled and small packaging, easy to deliver and carry.
- Special design front and back frames are with good stability.
- 16 screws are needed to assemble the whole enclosure. It will take only 10 minutes to assemble the enclosure by one person.
- Front door is with corrective structure to avoid door dropping.
- Opening direction could be changed easily.
- Cable entries are available on top, bottom and back of enclosure, suitable for different places.
- The patented cable entries are adjustable and with the design to prevent wires from scratching.
- Opening direction of enclosures can be changed quickly. Automatic locking ensures safety and reliability.
- Maximum Loading capacity: 30kgs.

Main Part

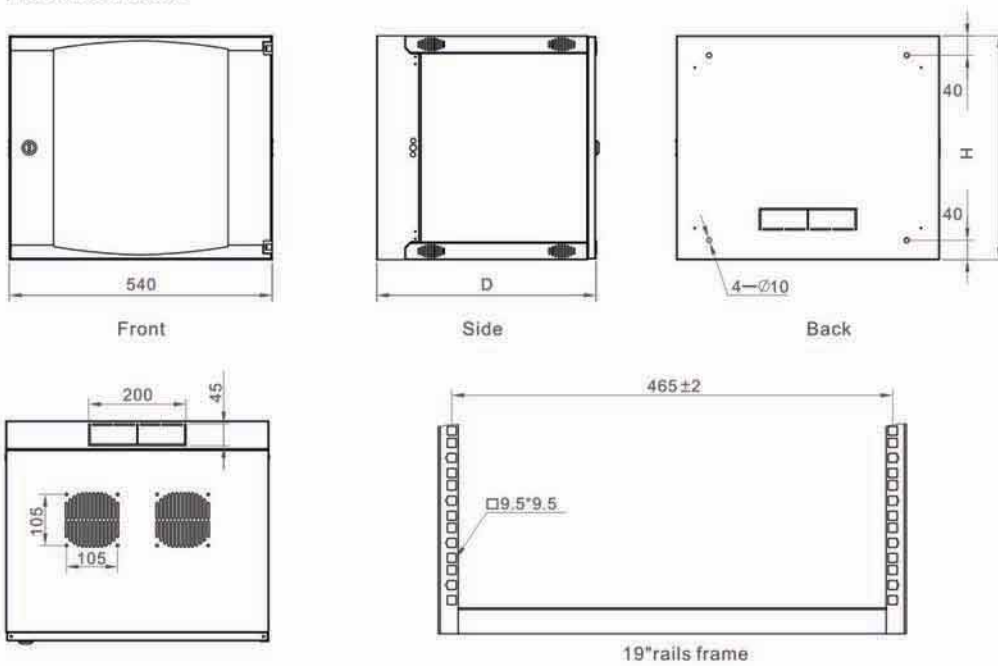
S/N	Specification	Qty	Material	Surface Finish	Remark
1	Back frame	1	SPCC t1.0	Powder coated	----
2	Top cover	1	SPCC t1.0	Powder coated	----
3	Bottom	1	SPCC t1.0	Powder coated	----
4	Front door	1	4MM toughed glass door/ SPCC t1.0	Powder coated	Small lock
5	19" rails frame	2	SPCC t1.5	Powder coated	----
6	Side panel	2	SPCC t1.0	Powder coated	----

Specification

Model No.	Capacity (U)	Width (mm)	Depth(D) (mm)	Height(H) (mm)	Disassembled packing dimension(MM)	Assembled packing dimension(MM)
VA.5406. ■00	6	540	450	327	570*280*440	550*460*350
VA.5606. ■00			600		570*310*545	550*610*350
VA.5409. ■00	9	540	450	460	600*265*490	550*460*480
VA.5609. ■00			600		600*310*530	550*610*480
VA.5412. ■00	12	540	450	593	600*265*625	550*460*610
VA.5612. ■00			600		600*290*625	550*610*610
VA.5415. ■00	15	540	450	725	600*265*760	550*460*750
VA.5615. ■00			600		600*290*760	550*610*750

WALL BOX 1U DOUBLE SECTION

Main Structure



May Installs The Fitting

